

Description :

Resistance thermometer for food industry applications.
Type N according to DIN 43765

Installation :

For the direct installation into the process.
Nut type F and grummet according to DIN 11851*.
The connection head can be turned after installation
** also according to IDF, RJT, SMS - Standard. Please request!*

Measuring Insert:

Execution according DIN 43762 *
The insert can be replaced seperately. For single measuring inserts see datasheet 801

Measuring Element :

Pt100 according to DIN EN 60751 / IEC 751
other Measuring elements e.g. Pt1000 or Ni100 upon request

Accuracy :

Class A or B according to DIN EN 60751 / IEC 751
Also available with reduced tolerances e.g. 1/5 DIN Cl. B

Material of wetted parts

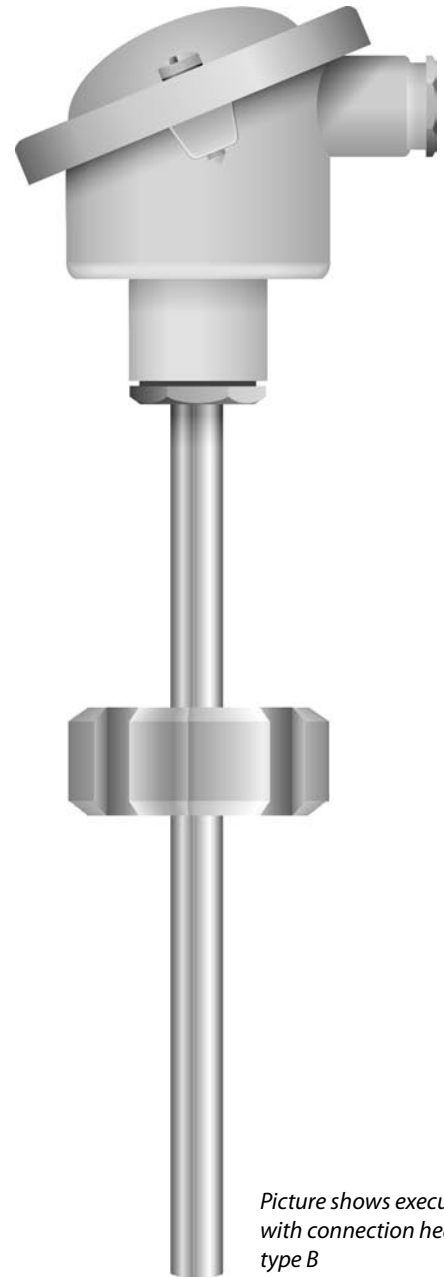
Stainless steel AISI316Ti (1.4571)
other upon request

Electrical connection:

Ceramic terminal block for 1 x Pt100 2-, 3- or 4- wire connection
or 1 x Pt100 2- or 3- wire connection.
Also available with mounted head transmitter.

Maximum Temperature Range :

-50...+550 °C



Picture shows execution with connection head type B

Material for tube and thread	
Ordering code	F G
Stainless steel AISI316Ti (1.4571)	0 3
Special material	9 9

Protection tube diameter (d2)	
Ordering code	H I
6mm	1 3
9mm (Standard)	5 6
11mm	6 8
15mm	7 8
Special diameter	9 9

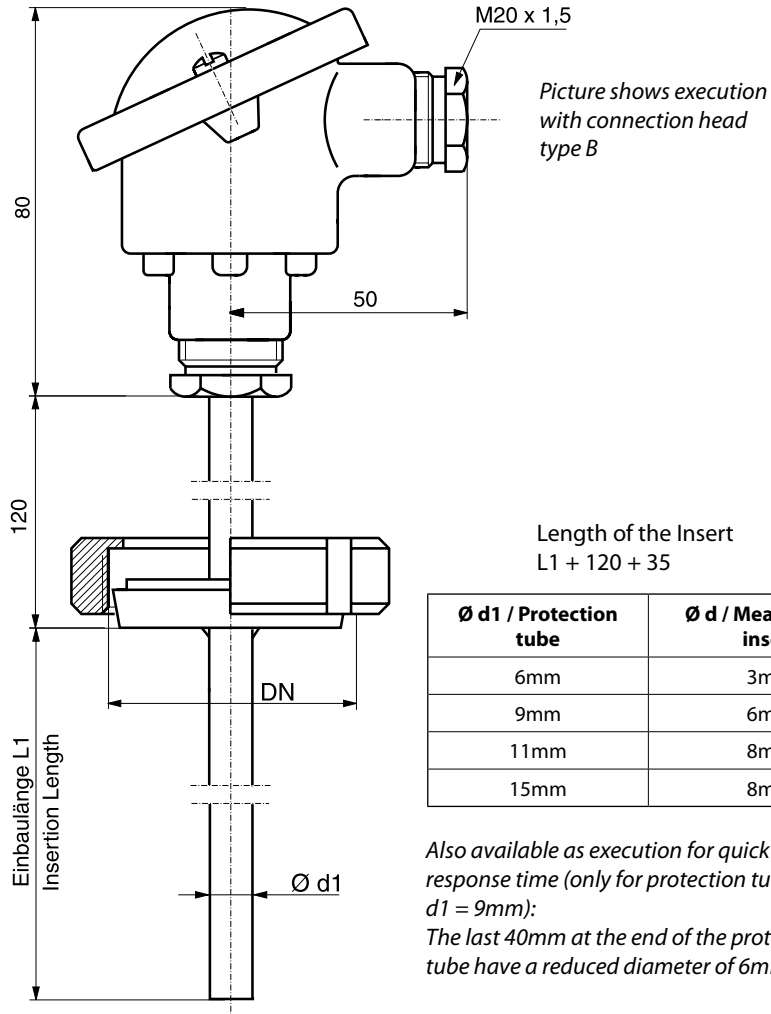
Process connection	
Ordering code	J K
Clamp connection	1 7
Varivent connection	2 7

Please declare size E in plain text

Terminal heads *1	
Ordering code	L M
Type B	0 1
Type BUZ	0 2
Type BUZ - H	0 3
Type NS	0 4
Type GG	0 5
Type BEG	0 6
Special type	0 9

Transmitter *2	
Ordering code	N
Without	0
According datasheet 844.00 *3	1
According datasheet 846.00 *4	3
According datasheet 847.00 *5	5
According datasheet 848.00 *6	6
Special type	9

Connection *7	
Ordering code	O
2 - Wire configuration	2
3 - Wire configuration	3
4 - Wire configuration *8	4



Also available as execution for quick response time (only for protection tubes Ø d1 = 9mm):
The last 40mm at the end of the protection tube have a reduced diameter of 6mm

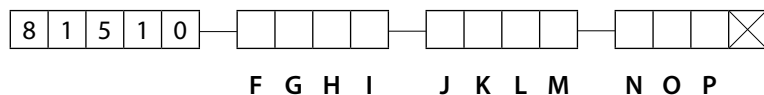
RTD	
Ordering code	P
1 x Pt100 CL. B	1
1 x Pt100 CL. A	2
2 x Pt100 CL. B *8	3
2 x Pt100 CL. A *8	4
Special RTD	9

- *1 Terminal heads see Infosheet 81.02
- *2 Declare measurement range in plain text
- *3 Analog, Low-Cost
- *4 Digital, Low-Cost, without separation
- *5 Digital, with separation
- *6 Digital, with separation, HART® compatible
- *7 Wiring schemes see datasheet 801.0
- *8 No 4-wire circuit with two Pt100

Ordering-code :

for ordering please fill out all empty digits in the order code on the right.

The code numbers for all free digits you find in the charts above.



For ordering please declare in plain text :

Insertion length (L_i):

..... mm

with transmitter / Measuring range:

..... °C to °C

Sizedn (10 - 15)::

.....