

Description :

Resistance thermometer for industrial applications
Type B according to DIN 43765 .

Installation :

For the direct installation into the process.
Connection via fixed external thread.
The connection head can be turned after the installation

Measuring Insert:

Execution according to DIN 43762
The insert can be replaced seperately.
For measuring inserts see datasheet 801

Measuring Element :

Pt100 according to DIN EN 60751 / IEC 751
other Measuring elements e.g. Pt1000 or Ni100 upon request

Accuracy :

Class A or B according to DIN EN 60751 / IEC 751
Also available with reduced tolerances e.g. 1/5 DIN Cl. B

Material of wetted parts

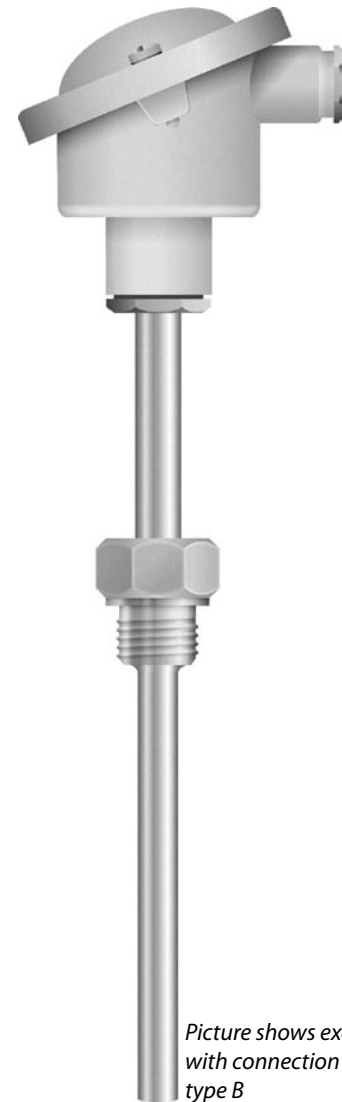
Stainless steel AISI316Ti (1.4571)
Other upon request

Electrical connection:

Ceramic terminal block for 1 x Pt100 2-, 3- or 4- wire connection.
or 1 x Pt100 2- or 3- wire connection
Also available with mounted head transmitter.

Maximum Temperature Range :

-50...+550 °C



Picture shows execution with connection head type B

Suggestions for installation of resistance thermometer with fixed external thread

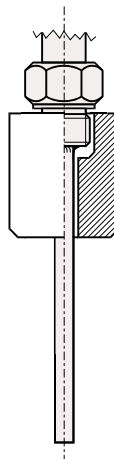
*For further installation possibilities see chapter **protection tubes***

Thread joint,

weld - in type

according to datasheet

18.11



Resistance thermometer

With protection tube and thread

Datasheet 812.1

Types with necktube

Material for tube and thread	
Ordering code	F G
Stainless steel AISI316Ti (1.4571)	03
Special material	99

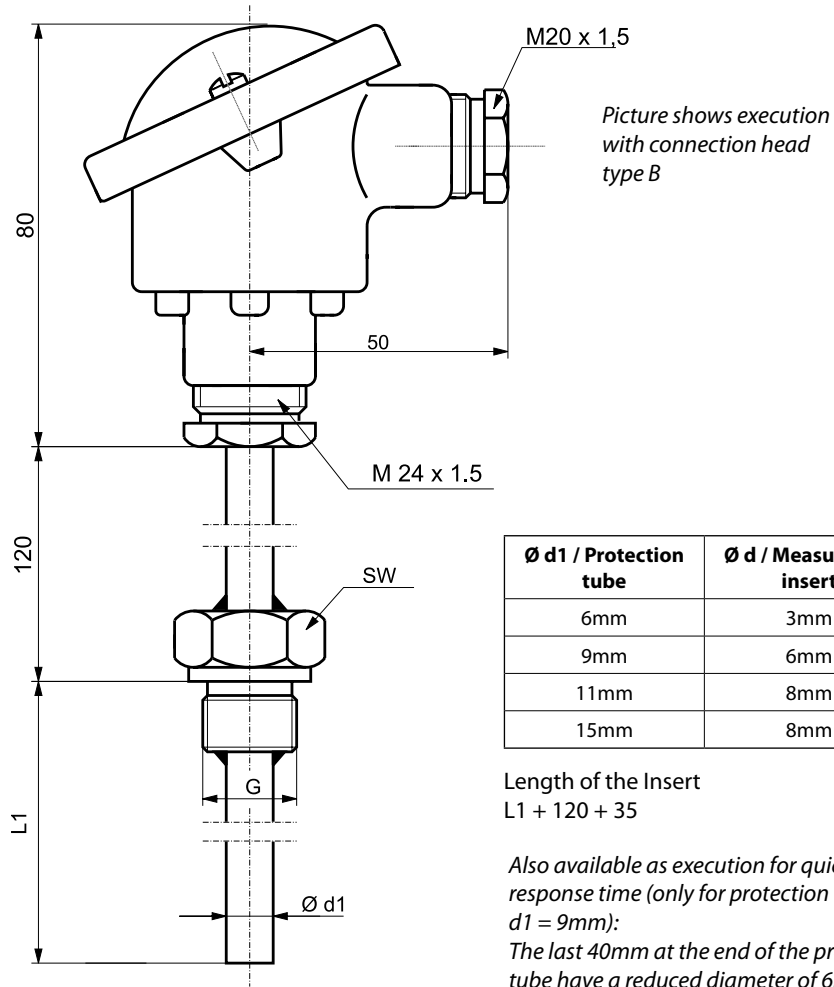
Stem diameter (d1)	
Ordering code	H I
6mm	13
9mm (Standard)	56
11mm	68
15mm	78
Special diameter	99

Threads (G)		
Ordering code	J K	
G 1/2"	SW 27	01
G 3/4"	SW 32	02
G 1"	SW 41	03
NPT 1/2"	SW 27	04
NPT 3/4"	SW 32	05
M 18 x 1,5	SW 24	06
M 20 x 1,5	SW 27	07
Sondergewinde		99

Terminal heads *1	
Ordering code	LM
Type B	01
Type BUZ	02
Type BUZ - H	03
Type NS	04
Type GG	05
Type BEG	06
Special type	09

Transmitter *2	
Ordering code	N
Without	0
According datasheet 844.00 *3	1
According datasheet 846.00 *4	3
According datasheet 847.00 *5	5
According datasheet 848.00 *6	6
Special type	9

Connection *7	
Ordering code	O
2 - Wire configuration	2
3 - Wire configuration	3
4 - Wire configuration *8	4



Ø d1 / Protection tube	Ø d / Measuring insert
6mm	3mm
9mm	6mm
11mm	8mm
15mm	8mm

Length of the Insert
L1 + 120 + 35

Also available as execution for quick response time (only for protection tubes Ø d1 = 9mm):
The last 40mm at the end of the protection tube have a reduced diameter of 6mm

RTD	
Ordering code	P
1 x Pt100 CL. B	1
1 x Pt100 CL. A	2
2 x Pt100 CL. B *8	3
2 x Pt100 CL. A *8	4
Special RTD	9

*1 Terminal heads see Infosheet 81.02

*2 Declare measurement range in plain text

*3 Analog, Low-Cost

*4 Digital, Low-Cost, without separation

*5 Digital, with separation

*6 Digital, with separation, HART® compatible

*7 Wiring schemes see datasheet 801.0

*8 No 4-wire circuit with two Pt100

Ordering-code :

for ordering please fill out all empty digits in the order code on the right.

The code numbers for all free digits you find in the charts above.

For ordering please declare in plain text :

Insertion length (L_i):

..... mm

with transmitter / Measuring range:

..... °C to °C

