

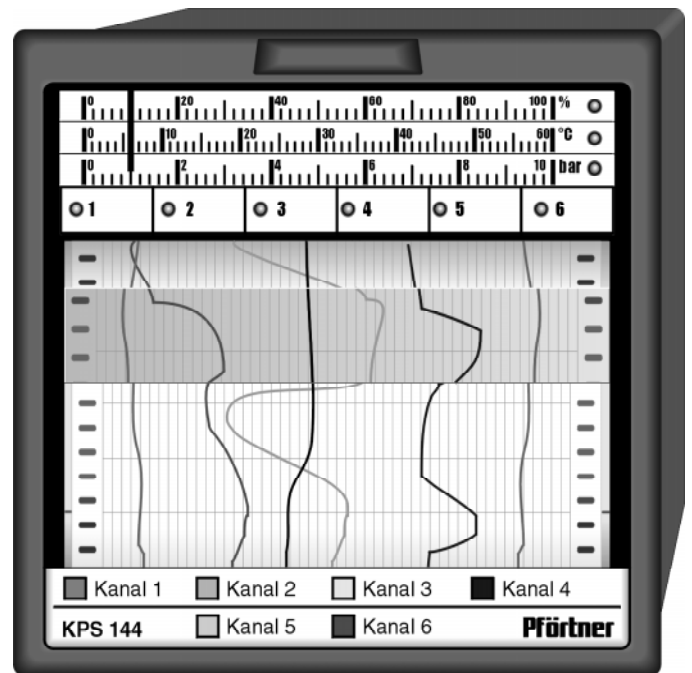
The dot recorder type KPS 144 registers and indicates different measurement signals on one channel (KPS144 -1) up to six channels (KPS 144 - 6).

The measurement inputs are galvanically separated what enables the registration of more than one signal using the same ground.

With the KPS 144 you can replace old multi-channel dot recorders.

Further advantages of the KPS 144 are 4 adjustable relay contacts which can be configured for each channel.

The KPS 144 can write on rolls and folded paper.



Technical Data

Display and registration error : Max. 1 %

Writing width : 100 mm

Visible diagram size : 80 mm

Adjustable paper feed:
0, 10, 20, 60, 120 mm/h

Dot order: 0, 2, 4, 12, 24 s

Writing colours :

Channel 1 : violett channel 2 : red channel 3 : black
Channel 4 : green Channel 5 : blue
Channel 6 : brown

Relais contacts : Amount : 4 - each contact can be assigned to each channel

Switching power: 230 V / 5 A

Clampable diameter : 0,14 ... 2,5 mm²

Ambient temperature : 0...50 °C

Supply : 230 V/AC or 115 V/AC; 45...65 Hz

Dimensions : 144 x 144 x 250 mm

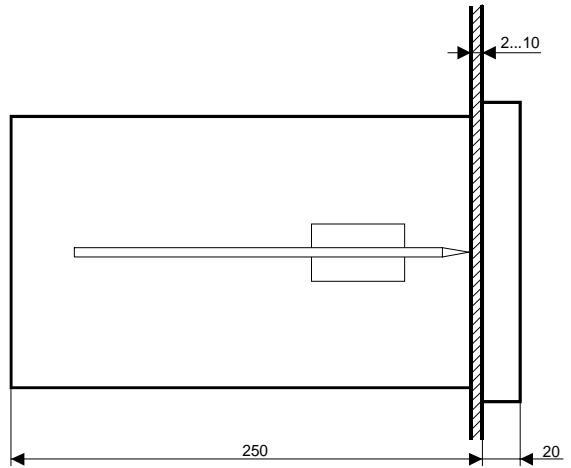
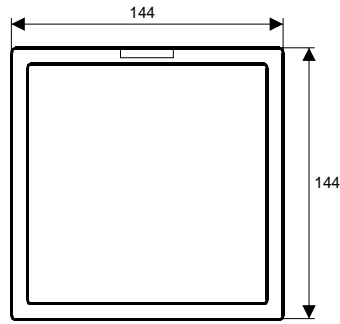
Panel cut - out : 138 ⁺¹ x 138 ⁺¹ mm

Case material : sheet steel ; Door : Plexi-Glas

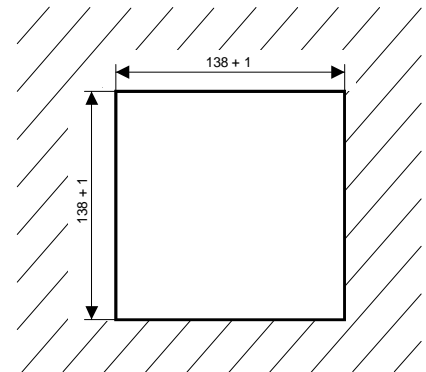
Protection class : Front : IP 42
Back : IP 20

Weight : ca. 4 kg

Measurement range	
Channel 1 and 2	H I
Channel 3 and 4	L M
Channel 5 and 6	P Q
Channel not present	0 0
Pressure Ranges	
0 ... 1,0 bar	2 0
0 ... 1,6 bar	2 1
0 ... 2,5 bar	2 2
0 ... 4 bar	2 3
0 ... 6 bar	2 4
0 ... 10 bar	2 5
0 ... 16 bar	2 6
0 ... 25 bar	2 7
0 ... 40 bar	2 8
0 ... 60 bar	2 9
0 ... 100 bar	3 0
0 ... 160 bar	3 1
0 ... 250 bar	3 2
0 ... 320 bar	3 3
0 ... 400 bar	3 4
Temperature Ranges	
-200 ... + 200 °C	4 1
-200 ... + 50 °C	4 2
-50 ... + 50 °C	4 9
0 ... + 60 °C	5 8
0 ... + 100 °C	6 0
0 ... + 200 °C	6 3
0 ... + 300 °C	6 5
0 ... + 400 °C	6 7
0 ... + 600 °C	6 9
0 ... + 800 °C	7 1
0 ... + 1200 °C	7 5
Relative Ranges	
0 ... 100 %	9 8
Special Range	9 9
<i>please define special ranges in plain text</i>	



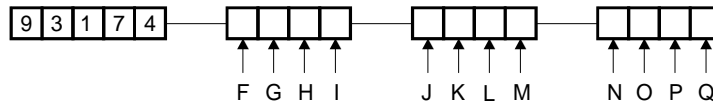
Schalttafel Ausschnitt :



Inputs	
Channel 1 and 2	F G
Channel 3 and 4	J K
Channel 5 and 6	N O
Channel not present	0 0
Pt100 DIN 751 3-Leiter	1 1
4...20 mA	1 2
0...20 mA	1 3
0...10 V	1 4
Ni / CrNi (K)	1 6
FeCu / Ni (J)	1 7
Pt Rh 10 / Pt (S)	1 8
Pt Rh 30 / Pt 6 (B)	1 9
Ferngeber 10/100/10	2 0

Ordering-code :

for ordering please fill out all empty digits in the order code on the right.



The code numbers for all free digits you find in the charts above.

For ordering please declare in plain language :

Range (Channel 1 and 2) : to Unit:
 Range (Channel 1 and 2) : to Unit:
 Range (Channel 1 and 2) : to Unit:

Others :

